

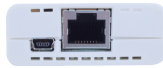


The Digital Audio Extender is useful for sending the digital audio signal up to 150m away at high quality. The units can switch between Coaxial and Optical digital signals and can be powered by either USB or power adaptor allowing users flexibility of choice between power sources. With its elegant and compact design, user friendly operation and easy installation, the Digital Audio Extender is ideal tool for extending digital audio from one location to another.

### PANELS

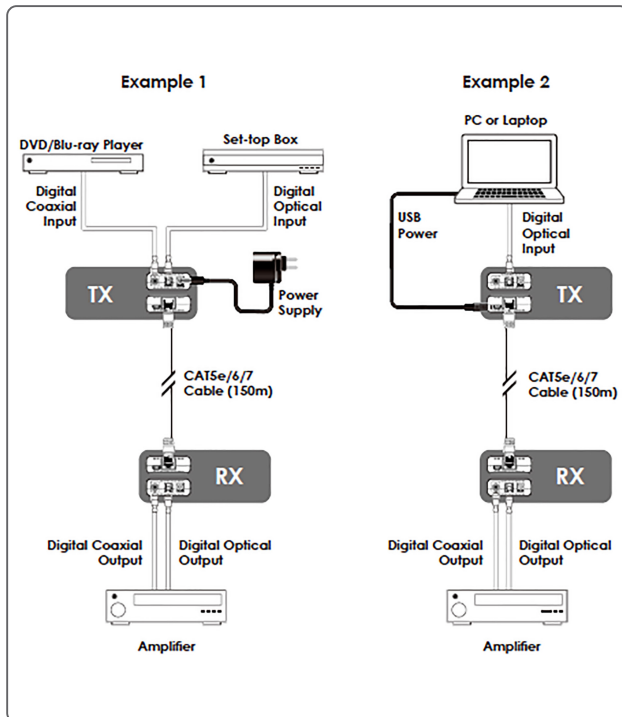


Front View



Rear View

### DIAGRAM



### FEATURES

- Supports Coaxial or Optical digital audio S/PDIF signal
  - Supports stereo and multi-channel digital audio such as LPCM 2 CH, Dolby Digital or DTS 5.1 CH
  - Supports industry standard Category 5/5e/6 cable
  - Digital audio S/PDIF performance sampling rate 96 kHz
  - Supports single Coaxial input to Coaxial signal output
  - Supports single Optical input to Optical signal output
- Note: Only one of the two units need to be powered for both to operate. Use only a single type of power per unit, either the 5V DC power supply or the 5V USB connection.

### SPECIFICATIONS

#### Interfaces

<b>Input Port</b>	1×Coaxial 1×Optical
<b>Output Port</b>	1×CAT6

#### Power

<b>Power Supply</b>	5 V/1 A DC (US/EU Standards, CE/FCC/UL certified)
<b>Power Consumption</b>	2W

#### Enclosure

<b>Chassis Material</b>	Plastic
<b>Chassis Color</b>	White
<b>Dimensions (W×H×D)</b>	70 mm × 22 mm × 50 mm
<b>Weight</b>	50g

### ORDERING INFORMATION

Model No.	Product Description
<b>CH-304TX</b>	Digital Audio Transmitter
<b>CH-304RX</b>	Digital Audio Receiver