

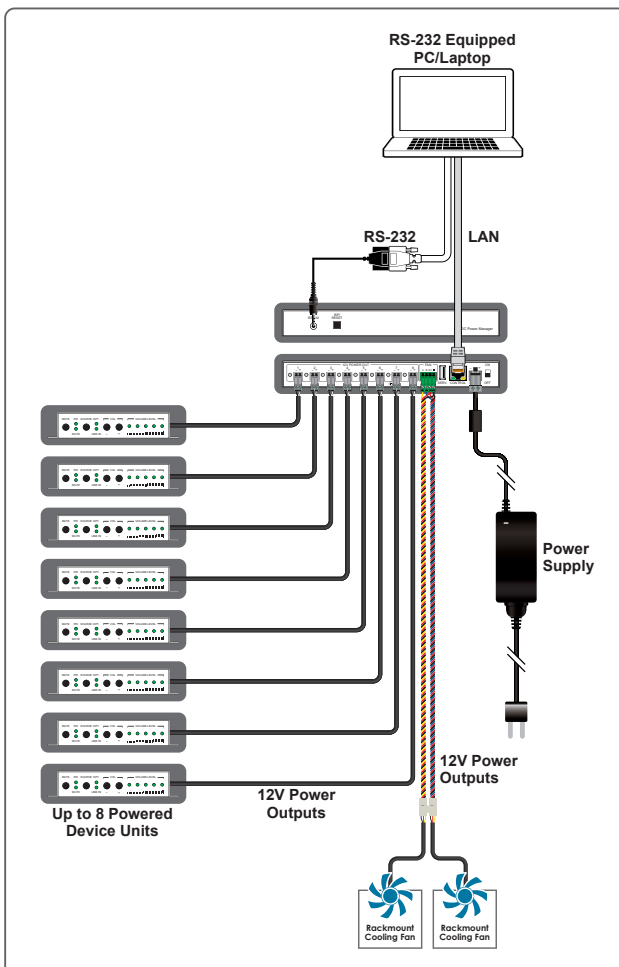


This 8-Port 12V DC Power Manager is a DC power splitter which can distribute up to 125 milliamps of 12 volt power to up to eight connected devices via 2-pin terminal block connections (115 watts total across all 8 outputs). Ideal for professional applications, this unit provides direct per-port power control via WebGUI, Telnet or RS-232. An integrated, battery backed-up, clock allows for detailed power scheduling based on a repeating daily/weekly schedule, or single events. Up to 2 fans may be connected and their speed can be either automatically controlled based on a detected temperature, or set to a single static speed. Detailed status information about the power input, each power output, current fan speed, and system temperature is provided to give a comprehensive system overview.

### PANELS



### DIAGRAM



### FEATURES

- Power management system providing voltage-controlled current (12V) on each output
- Battery backed up clock for scheduling power events
- Integrated WebGUI for control and power analysis
- Unit's overall maximum power consumption is only 150 watts
- Supports 8 power output ports with professional 2-pin 3.5mm terminal block connectors
- 115 watts of total power provided across all 8 outputs
- Dynamic loading function balances the power provided to each DC output

### SPECIFICATIONS

#### Interfaces

**Output Port** 8× 12V DC (2-pin Terminal Block)  
2× Fan Out (4-pin Terminal Block)

**Control I/O** 1× RS232(3.5mm)  
1× IP Control (RJ45)

#### Power

**Power Supply** 12V/12.5A DC (US/EU standards, CE/FCC/UL certified)

**Power Consumption** 150W

#### Enclosure

**Chassis Material** Aluminum

**Chassis Color** Black

**Dimensions (W×H×D)** 211.5mm×24mm×116.5mm [Case Only]  
211.5mm×25mm×117.5mm [All Inclusive]

**Weight** 285g

#### Field Firmware Update

PC Update, WebGUI

### ORDERING INFORMATION

Model No.	Product Description
CSR-8PSU-12V	8-Port 12V DC Power Manager