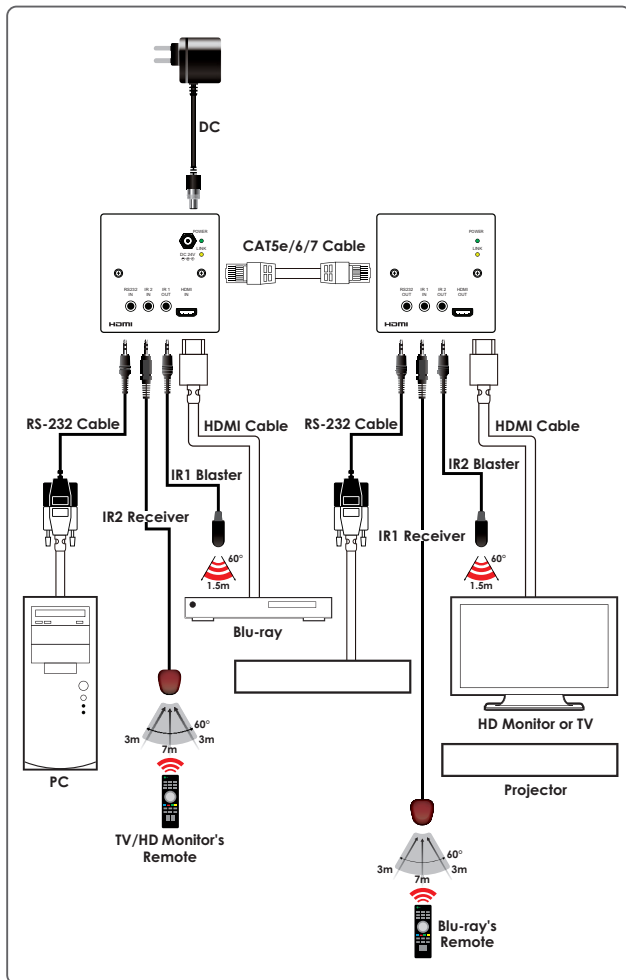


The device that can make your home or office more efficient, this unit of HDMI over Single CAT5e/6/7 can transmit and receive uncompressed audio/video, control through the built-in RS-232 and IR ports and Power on Cable(PoC) over 100 meters at 1080p or 70 meters at 4K with all plate design. Hence, if you want to make your home or office more efficient, get the HDMI & IR over single CAT5e/6/7 and prepare to be amazed.

### DIAGRAM



### FEATURES

- HDCP compliant
  - Supports HDMI 3D and 4K x 2K features
  - Supports HDCP repeater and CEC bypass
  - Supports distance up to 100m/328ft at 1080p and 70m/229ft at 4K through CAT5e/6/7 cable
  - HDMI input resolutions up to 4K@60Hz (YUV 4:2:0, 8-bit) or 4K@30Hz(YUV 4:4:4, 8-bit)
  - Supports pass-through of audio formats including LPCM 2.0/5.1/7.1, and Bitstream over HDMI
  - 4Play™ convergence: HDMI, PoC & Control (IR & RS232)
  - Wall plate design and Installation Friendly
- Note: This system was tested with CAT6/23AWG cable, so if using cables of another type, results may vary.

### SPECIFICATIONS

#### Interfaces

**Input Port** 1×CAT5e/6/7  
1×IR Extender

**Output Port** 1×HDMI  
1×RS-232  
1×IR Blaster

#### Video

**HDMI Compliance** HDMI 1.x (DVI 1.0)

**Input Signal Type** 4K@60 8-bit YUV 4:2:0

**Output Signal Type** 4K@60 8-bit YUV 4:2:0

#### Resolutions

**Maximum Input** HDMI 4096×2160p@60 YUV 4:2:0

**Maximum Output** CAT5e/6/7 4096×2160p@60 YUV 4:2:0

#### Power

**Power Supply** 24V / 1.25A DC (US/EU standards, CE/FCC/UL certified)

**Power Consumption** 3W

#### Enclosure

**Chassis Material** Aluminum

**Chassis Color** Black

**Dimensions (W×H×D)** 87mm x 31mm x 87mm

**Weight** 200g

#### Field Firmware Update

#### WebGUI

### ORDERING INFORMATION

Model No.	Product Description
CH-506TXWP	HDMI & IR over Single CAT5e/CAT6
CH-506RXWP	HDMI & IR over Single CAT5e/CAT6