

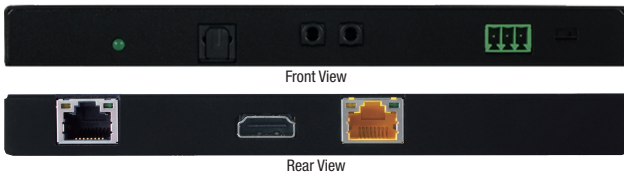
CH-1529RX

HDCP 2.2 & HDMI2.0 Extender with OAR / Audio Insertion

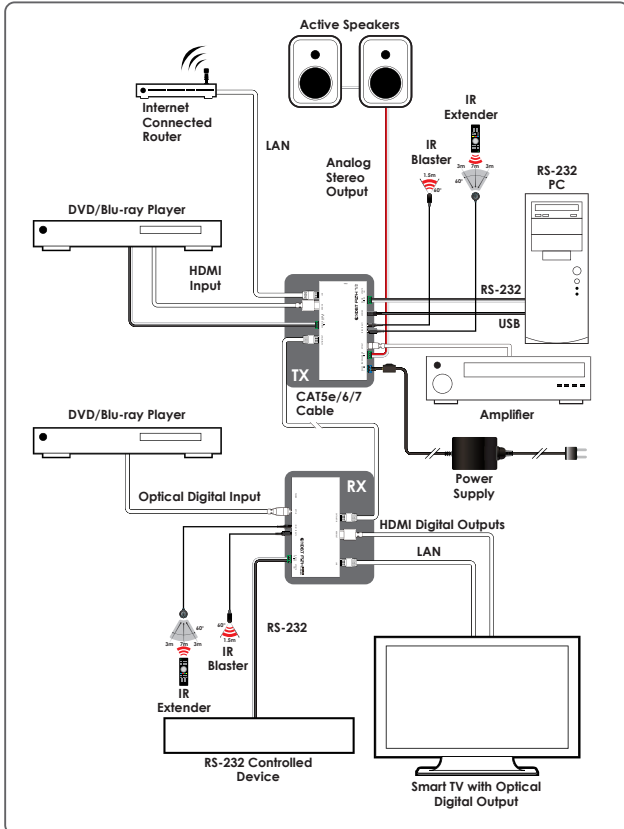


The HDMI over single CAT5e/6/7 Transmitter and Receiver set is a great solution to extend uncompressed audio/video and IP data over a single run of CAT5e/6/7 cable at a distance up to 100 meter. Multi-control interfaces are available which includes IR, RS-232, USB and LAN connection. This new extender set complies with advanced protocols of HDCP2.2 and HDMI 2.0, the HDCP1.4 also supported. The 6G HDMI video is able to be processed. Except extend 4K2K data, it features useful audio functions. The “optical audio return” supports audio transmit back from Receiver to Transmitter. Besides, the “audio insertion” allows external audio insert to HDMI video such as background music insertion. The HDBT clock stretch and TMDS reclocking are considered. The Receiver (PD) can be powered by the PoE 48V function of the Transmitter (PSE), allowing for greater flexibility to fit different installation scenarios.

PANELS



DIAGRAM



FEATURES

- HDMI with HDR, 3D & 4K@60Hz support
- Supports Deep Color input and output up to 12-bit
- Supports CEC bypass
- Simultaneous reception of uncompressed video, audio and data over a single Cat.5e/6/7 cable up to 100m/328ft at 1080p60 and 70m/230ft at 4K
- HDBaseT feature support: HD Video and Audio, 100BaseT Ethernet, 48V PoH, and Control (bidirectional IR/RS-232 pass-through)

SPECIFICATIONS

Interfaces

Input Port	1 x HDBaseT (RJ-45) 1 x IR In(3.5mm) 1 x Optical In
Output Port	1 x HDMI(Type-A) 1 x IR Out 2(3.5mm)
Others	1 x LAN(RJ-45) 1 x RS-232(3-pin Terminal Block)

Video

HDMI Compliance HDMI 2.0 (DVI 1.0)

HDCP Compliance 2.x

Input Signal Type 4K@60 YUV 4:2:0

Output Signal Type 4K@60 YUV 4:2:0

Resolutions

Maximum Input HDBaseT 4096x2160p@60 YUV 4:2:0

Maximum Output HDMI 4096x2160p@60 YUV 4:2:0

Power

Power Consumption 19.5W

Enclosure

Chassis Material Aluminum

Chassis Color Black

Dimensions 78mm (W) x 163mm (D) x 16mm (H) Excluded jacks
78mm (W) x 183mm (D) x 16mm (H) Included rack ears

Weight 338g

Field Firmware Update

RS232

ORDERING INFORMATION

Model No.	Product Description
CH-1529RX	HDCP 2.2 & HDMI2.0 Extender with OAR / Audio Insertion
CH-1529TX	HDCP 2.2 & HDMI2.0 Extender with OAR / Audio Insertion